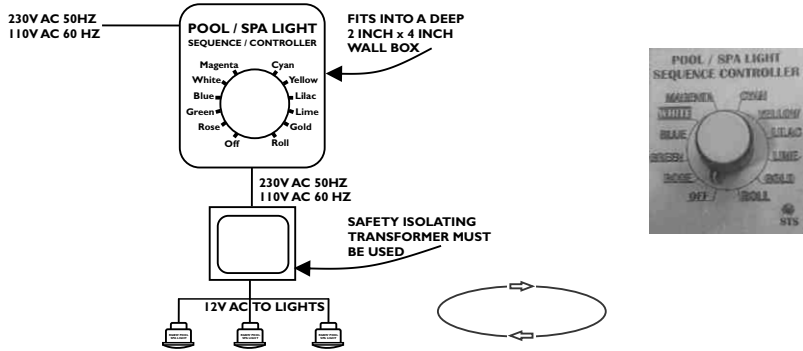


## Remote Control (Additional - not supplied)

**A REGISTERED AND QUALIFIED ELECTRICIAN MUST BE USED TO REMOVE OLD LIGHT SWITCH AND REPLACE IT WITH THE COLOUR SELECTOR SWITCH**



### SELECTING COLOUR USING A SIMPLE ON/OFF SWITCH

When switching light(s) on for the 1st time - light(s) will start on Rose.  
 If you switch your light(s) off, then back on within 2 sec. you will get Green.  
 If you switch your light(s) off, then back on within 2 sec. you will get Blue.  
 If you switch your light(s) off, then back on within 2 sec. you will get White.  
 If you switch your light(s) off, then back on within 2 sec. you will get Magenta.  
 If you switch your light(s) off, then back on within 2 sec. you will get Cyan.  
 If you switch your light(s) off, then back on within 2 sec. you will get Yellow.  
 If you switch your light(s) off, then back on within 2 sec. you will get Lilac.  
 If you switch your light(s) off, then back on within 2 sec. you will get Lime.  
 If you switch your light(s) off, then back on within 2 sec. you will get Gold.  
 The 11th time you switch the lights off, then back on within 2 seconds, you will see the colours scroll - through all the colours as shown.

Or you can replace your on/off switch with a selector switch, then simply select the colour you want, and the selector switch will do the selecting for

### One Button Remote Control (Radio Frequency)

The **remote control** operates up to 50 meters. Press **remote control** button to switch the pool light on or off. Read the remote box insert for instructions.

Operates through walls, etc. You can control your pool light from inside your house.

**Radio Frequency Remote and Receiver (12 V)**  
 (The remote control and receiver is not waterproof).



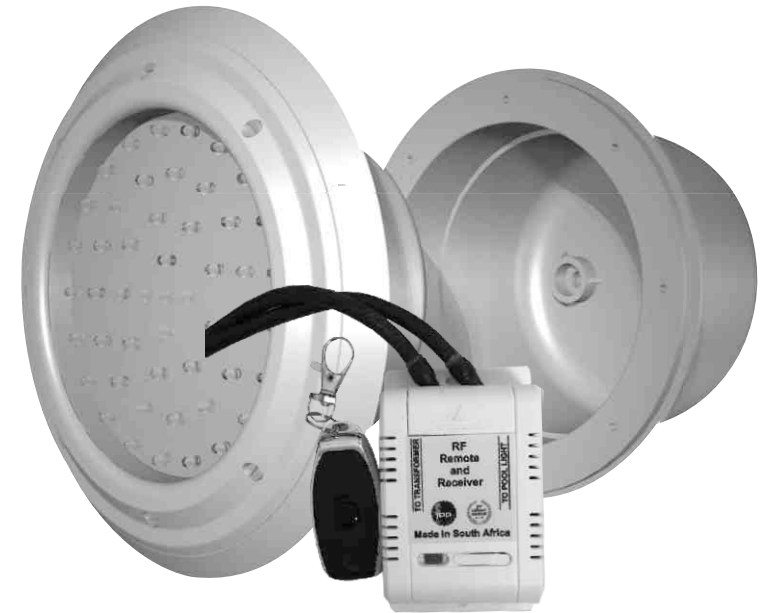
Dealer:

Manufactured by: Integrated Pool Products Tel: +27 11 662 4300  
 support@integratedpoolproducts.com http://www.integratedpoolproducts.co.za

IEC Compliant  
 60598-2-18  
 LOA # 176873  
 LOA # 178460  
 LOA # 178462  
 (NRCS Letter of Authority)



## INSTRUCTION MANUAL FOR LED/SUPREME/X-SERIES/SPA SURFACE MOUNTED LIGHT (Blue - White - Colour)



### Remote & Receiver (Optional Extra)

#### NOTE!

This product is intended for use only when immersed in water and **MUST** be supplied from a safety isolating transformer only. Maximum immersion depth 1meter IPX8. This product contains no replaceable components and must not be opened or serviced by anyone other than manufacturer or its service agents. Warranty will be voided if the product if is opened or tampered with.

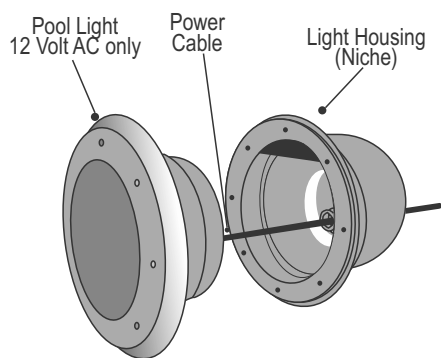


# INSTALLATION OF NICHE MOUNTED & SURFACE MOUNTED POOL LIGHT LUMINAIRES

**NB.!** Please ensure that your Safety Isolating 12 Volt transformer has a circuit breaker to protect the light(s)

**WARNING:** Electrical products can cause death, injury or damage if incorrectly installed. The power source to the luminaire must be supplied from suitable safety isolating 125VA transformer. Installation of this product must be carried out by a qualified competent person in compliance with the requirements of SANS 10142 or the corresponding regulations of the country of installation. The installation of this product may require that a certificate of compliance be updated.

## New Installations: LED/SPA/SURFACE & X-SERIES

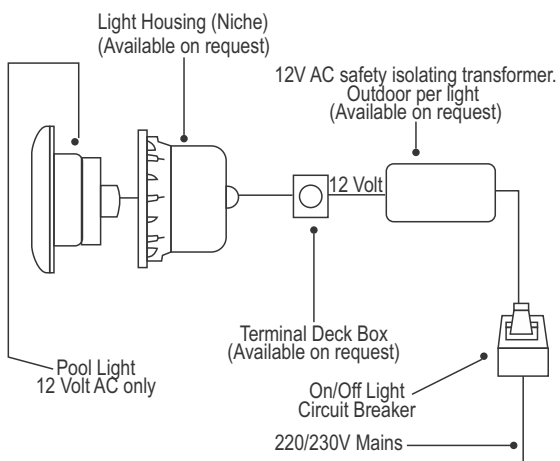


### Specification:

Supply 12V 50Hz/60Hz from a 125VA safety isolating transformer. Power: Nom power is as marked on the luminaire supplied depending on model type. IP X8 or as marked on the luminaire. The luminaires are intended to be mounted in a standard 170mm plastic niche. Where the luminaire is supplied with a niche which is suitable for mounting into both marbelite and fiberglass pools, care must be taken to prevent the niche coming into contact with solvents that may be used in the fibreglassing or epoxying process. Solvents such as lacquer thinner, acetone or similar. The luminaire is intended to be operated submerged in water.

- Ensure that the power source to the luminaire is from a safety isolating 125VA transformer.
- Ensure that the 170mm plastic niche is securely fitted into pool wall surface.
- Ensure light deck box is installed above the light on pool coping surface.
- Switch OFF power at the main distribution box.
- Loosen niche nut and feed light cable through nut and grommet to light deck box.
- Securely tighten niche nut.
- Fit luminaire firmly in niche.
- Connect cable at light deck box.
- Switch power on at the main distribution box.

This luminaire has no replacement parts. The luminaire shall not be accessed by a layman for any reason. Only the manufacturer, his service staff or suitably qualified competent persons as defined in SANS 10142 may access this luminaire.



## INSTALLATION OF SURFACE MOUNTED POOL LIGHT LUMINAIRES

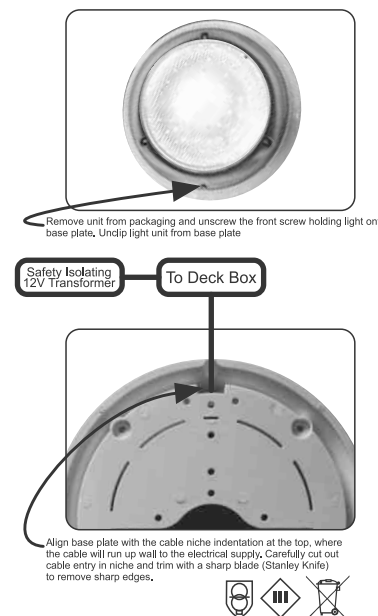
**WARNING:** Electrical products can cause death, injury or damage if incorrectly installed. The power source to the luminaire must be supplied from suitable safety isolating 125VA transformer. Installation of this product must be carried out by a qualified competent person in compliance with the requirements of SANS 10142 or the corresponding regulations of the country of installation. The installation of this product may require that a certificate of compliance be updated.

### Specification:

Supply 12V 50Hz/60Hz from a 125VA safety isolating transformer. Power: Nom power is as marked on the luminaire supplied depending on model type. IP X8 or as marked on the luminaire. The luminaires are intended to be mounted using the base plate mounting kit supplied. The luminaire is suitable for mounting into both marbelite and fiberglass pools - care must be taken to prevent the base plate coming into contact with solvents that may be used in the fibreglassing or epoxying process. Solvents such as lacquer thinner, acetone or similar. The luminaire is intended to be operated submerged in water.

- Drop water level to a position below the required position of the light in the pool.
- Ensure the power to the pool is switched off.
- Ensure that the power source to the luminaire is from a safety isolating 125VA transformer.
- Remove the unit from its packaging and unscrew the front screw (1.3) that holds the light onto the base plate.

### Installation Note:



- Carefully cut out cable entry in niche and trim with a sharp blade (Stanley Knife) to remove sharp edges.
  - Feed cable through back of base plate and up through the niche [it is recommended that some excess cable is rolled up in the back of the light to allow access if the light needs to be removed later].
  - To install the baseplate, make sure both the surfaces are dry and clean.
  - When installation is on a marbelite surface, attach the baseplate to the surface using both "Alcolin Aqua Mend" or similar and the screws and plugs supplied.
  - When the installation is on a fiberglass pool, use only "Alcolin Aqua Mend" or similar. **NOTE: Do not drill into the Fiberglass surface.**
  - Allow 12 hours for the base plate to dry on the surface before installing the luminaire into the base plate and securely tighten the lens screw.
  - Connect luminaire cable inside a deck box installed above the light adjacent to pool.
  - Switch power on at the main distribution box.
- This luminaire has no replacement parts. The luminaire shall not be accessed by a layman for any reason. Only the manufacturer, his service staff or suitably qualified competent persons as defined in SANS 10142 may access this luminaire.



**NB.!** Please ensure that your Safety Isolating 12 Volt transformer has a circuit breaker to protect the light(s)