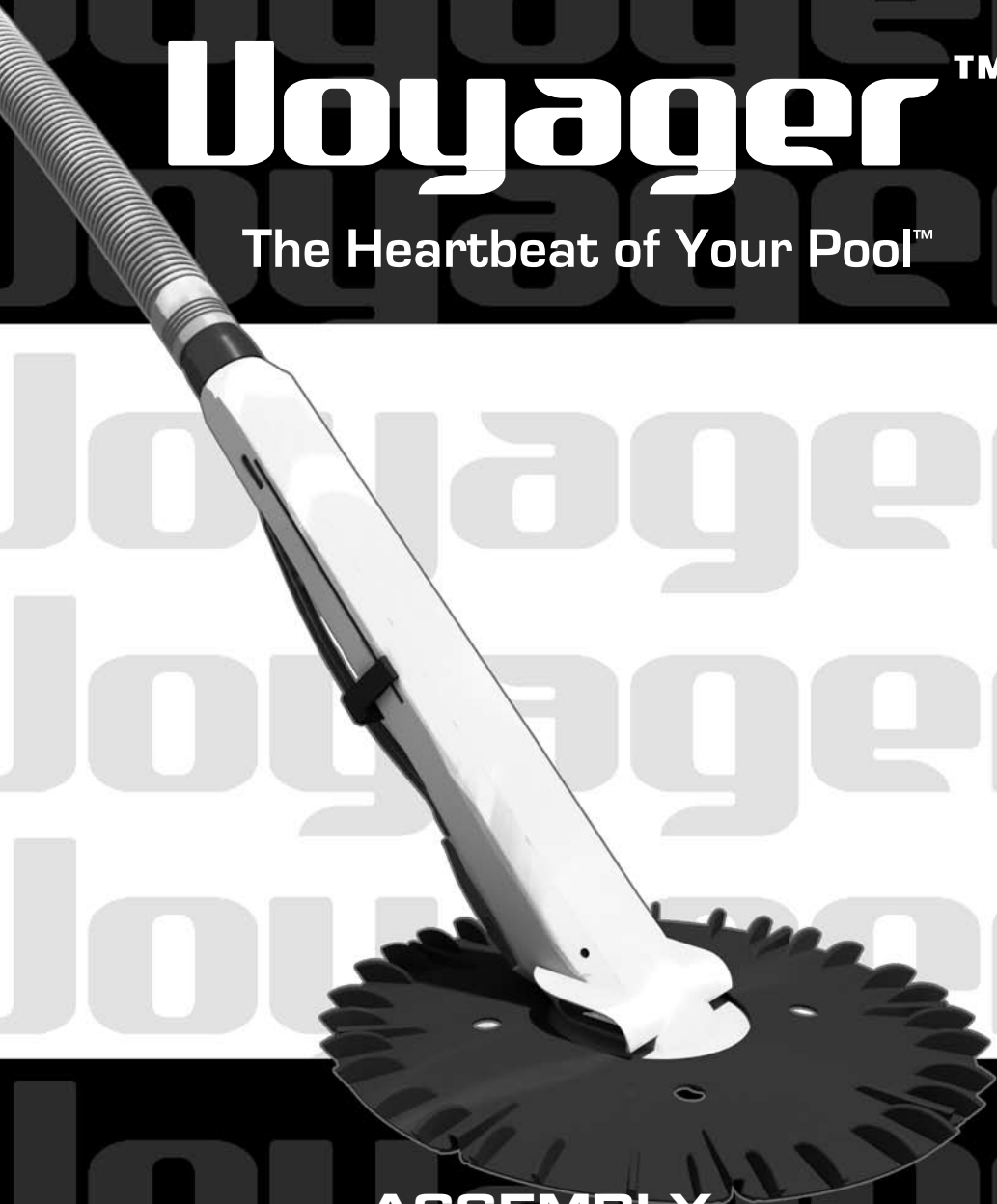


Voyager™

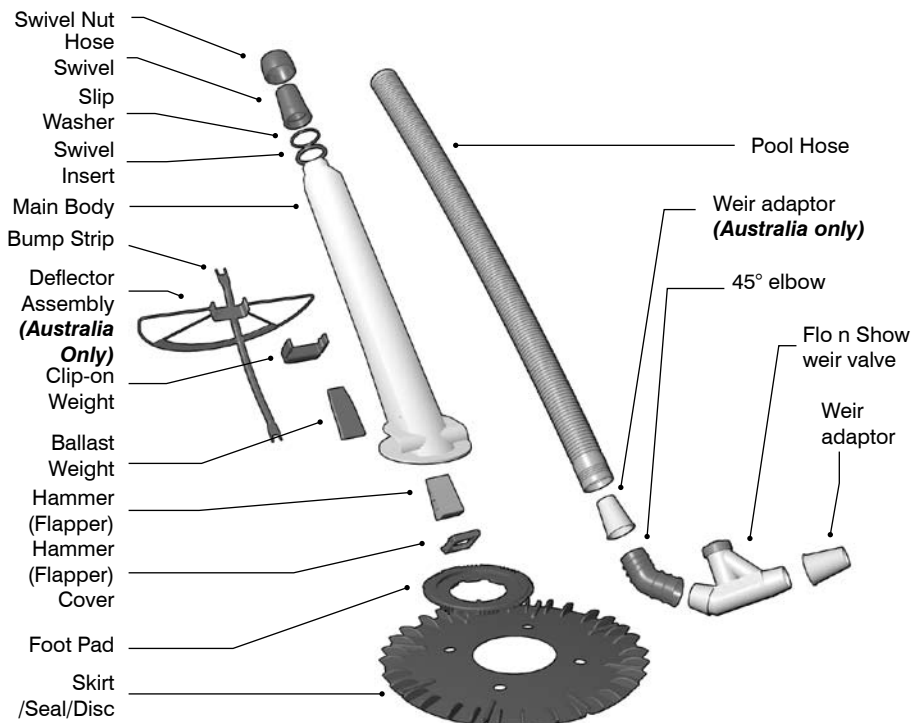
The Heartbeat of Your Pool™



**ASSEMBLY
AND
OPERATING INSTRUCTIONS**

Voyager™ Contents & Components

Contents & Components	2
Pre-installation Checklist	3
Pre-installation Check list	4
The Voyager Weir Valve	5
Trouble Shooting	6
Trouble Shooting continued	7
Connection to Skimmer Points (Australia only)	7



Accessories:

45 Degree Elbow

- Use to de-stress the hose at the weir



Please note:

- No guarantee is given on vinyl liners when used with a Voyager cleaner
- Discoloration of pool cleaner parts are normal due to pool chemicals, this does not influence the performance or the life of the components

Voyager™ Pre-installation Checklist

Once unpacked:

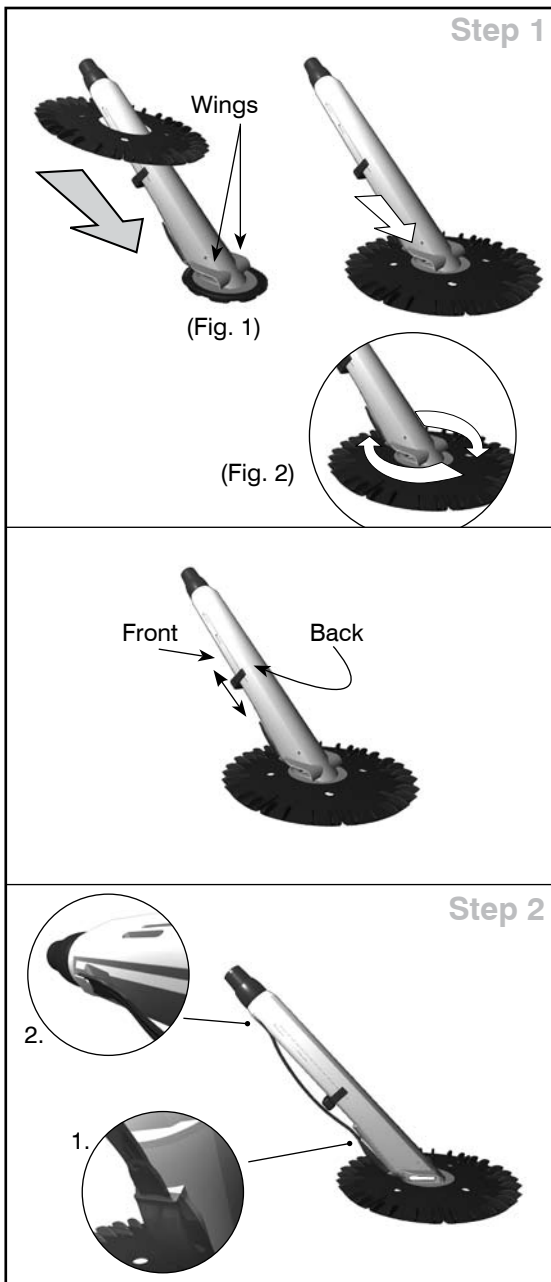
Step 1

1. Attach the Voyager disc by placing the disc over the body (see figure 1) and positioning it below the wings (figure 2).
2. The disc must be attached with the fins on top and the flat surface facing down. Disc is marked "Top".
3. The disc should rotate freely.

The clip on weight has been set by the factory for most pools. If the Voyager tilts to the front move the clip on weight to the lowest clasp

Step 3

1. Insert the bump strip into the slots provided. Insert the bottom end first until the bump strip clicks into position and then insert the top end.



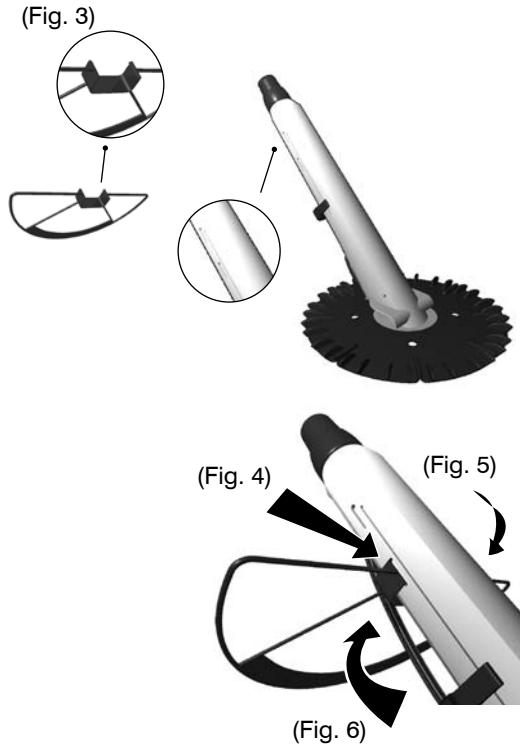
Voyager™ Pre-installation Check list

Step 5 - Australia Only

1. Remove bump strip
2. Align and insert one side of the deflector assembly clasp (fig 3) with slot on main body selecting required position (fig 4)
3. "Click" other side of deflector assembly clasp into corresponding slot on the other side of the main body (fig 5)
4. Replace bump strip and feed through deflector "Spokes" for correct alignment (fig 6)

Australia Only

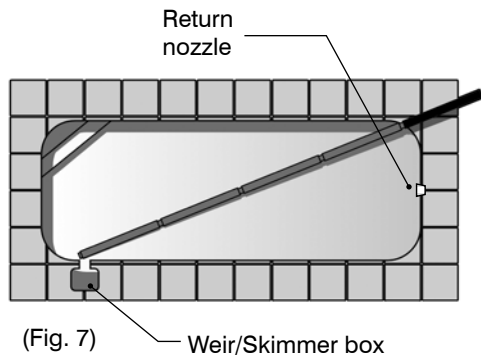
Step 3



Step 6

1. Assemble sufficient lengths of hoses to cover the distance from weir to furthest point away from the weir, plus one extra length of hose (fig 7)
2. Remove the air from the hoses by pushing the hoses vertically into the pool
3. Install the Voyager Weir Valve in the weir / skimmer box inlet and attach the pool hoses (please refer to page 3)
4. Switch on your filtration unit

Step 4



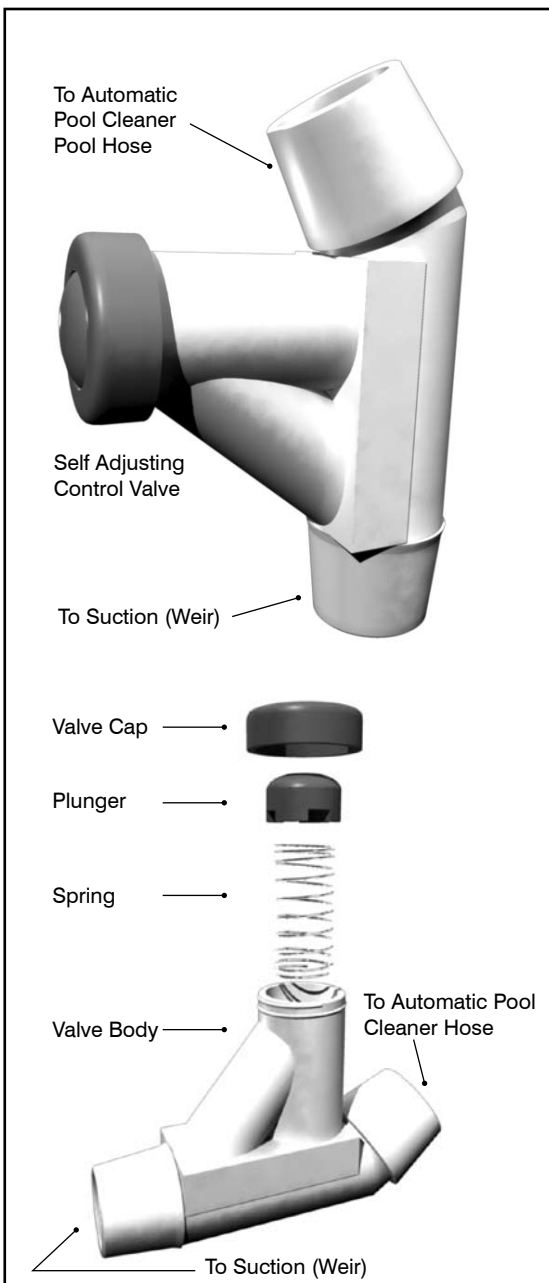
The Voyager Weir Valve™

Installing the Valve

The valve should be fitted to the inlet /suction in your pool weir/skimmer box. This should be a tight fit, a weir adapter can be used if necessary

- i. Turn off the pump
- ii. Disconnect the control valve with the hoses attached from the weir box
- iii. Ensure the basket contains no debris
- iv. Backwash the filter with the control valve disconnected NB when backwashing always disconnect the control valve from the weir box
- v. Install the valve in the weir
- vi. Turn on the filtration system
- vii. Attach the Voyager to the correct length of hoses (refer to page 2) taking care to purge the air out of the hoses
- viii. Connect the control valve to the weir

Tip:
Always follow instruction i) & ii) when backwashing in the future



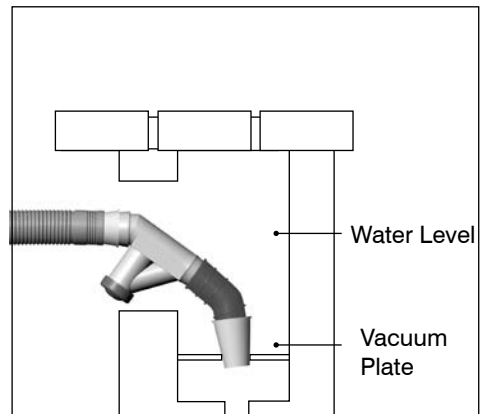
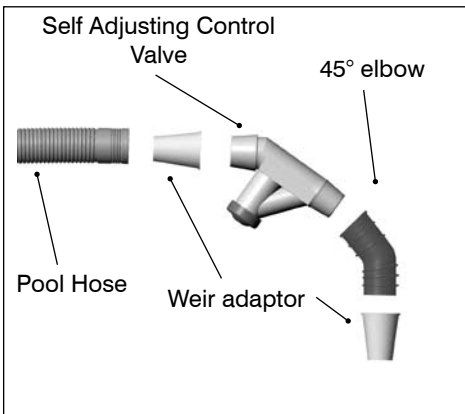
Voyager™ Trouble Shooting

Problem	Suggested Solution
<p>The Pool Cleaner does not move whilst the pump is running</p>	<p style="text-align: center;">SWITCH OFF PUMP</p> <ul style="list-style-type: none"> i. Please ensure the hose is connected at the weir ii. Please ensure no obstacles are stuck in the hammer / flapper chamber Pull any visible obstacles out of the hammer flapper chamber If this does not solve the problem Remove hammer / flapper cover Remove hammer /flapper Inspect hammer /flapper chamber for any obstacles remove and rinse hammer/flapper and hammer /flapper chamber in pool water Refit hammer/ flapper Fit hammer / flapper cover by placing the left location pins into the left holes push the right side of the hammer /flapper cover, clicking the corresponding pins into the corresponding holes Check the outside of the body to ensure all four pins have located properly, if this is not done correctly the cleaner will not work properly iii. Please ensure all the hoses are connected properly, to check this lift the hose at the connection and listen for a hissing sound If there is a hissing sound push the hose connections together firmly iv. Please ensure all air is out of the hose v. Please ensure that none of the hose sections are damaged vi. An obstacle may be stuck in the hose, please make sure the hose sections do not have any obstacles in them vii. Please ensure the leaf basket is empty viii. Please backwash the filter ix. Please ensure the disc /skirt rotates freely as the cleaner will not operate properly if the disc/skirt has not been fitted correctly i.e. between the footpad and the side intakes (wings) x. Please ensure the disc/skirt is assembled correctly, the fins must face upward and you should be able to read the word "top".
<p>The Pool Cleaner is stuck in a specific place</p>	<ul style="list-style-type: none"> i. Please ensure you have sufficient hose to cover the distance from the weir to furthest point away from the weir plus one extra length of hose ii. Adjust the bump strip and or deflector assembly to a lower or higher position to ensure the cleaner deflects off the obstacle iii. Adjust the return nozzle to drive the pool cleaner away from the obstacle by turning the return nozzle toward the hose and facing it upward to increase the ripple on the surface of the water. iv. If the cleaner does not clean parts of the shallow end direct the aim flow downward to eliminate the ripple on the surface of the water
<p>The Pool Cleaner climbs out of the pool</p>	<p>Pools with very powerful suction</p> <p>Pool fitted with pumps larger than 1.1Kw (1.5HP) may experience excessive suction to the automatic pool cleaner. This can be remedied by dismantling the control valve as shown. Remove spring from valve body, replace plunger and valve cap.</p> <p>By removing spring from the valve body, it will reduce suction from the automatic pool cleaner</p>

Trouble Shooting continued TM

Air flows out of the return nozzle	<ul style="list-style-type: none"> i. Check that the hose does not have a leak ii. Ensure hose sections are tightly connected iii. Check the o-ring at the pump and replace if worn
Hoses are twisting	<ul style="list-style-type: none"> i. The hoses twist if they have been coiled up during storage, take the hose apart lay it flat on the ground for a day in bright sunshine, reassemble and use as normal
Pool Cleaner does not clean a specific area of the pool	<ul style="list-style-type: none"> i. Turn the hose connected at the weir one quarter turn, this should solve the problem and can be repeated if necessary
The Cleaner will not climb the walls of the pool	<ul style="list-style-type: none"> i. Please ensure the footpad is fitted properly to the cleaner ii. If the radius between the floor and the wall is too narrow, the cleaner will not climb the wall iii. A Poolmaid Square Pool Attachment can be connected to solve this problem or if the angle is too steep (90 Degrees) an Xplorer Turbine cleaner may be purchased as an option
The Pool Cleaner disc does not lie flat on the pool Floor	<ul style="list-style-type: none"> i. Adjust the clip on weight until the balance of the units is correct i.e. the disc lies flat on the pool floor and ensure the hose does not have any air in it (refer to pg 4).

Connection to Skimmer Points (Australia only)





Manufactured by:

Integrated Pool Products (Pty) Ltd.

Tel. 27 (11) 957 2002/3/4/5 • Fax. 27 (11) 957 2062

Email. elinor@iafrica.com • <http://www.Voyager.co.za>

PO Box 522, Muldersdrift 1747, South Africa