



Dealer:



Manufactured by:

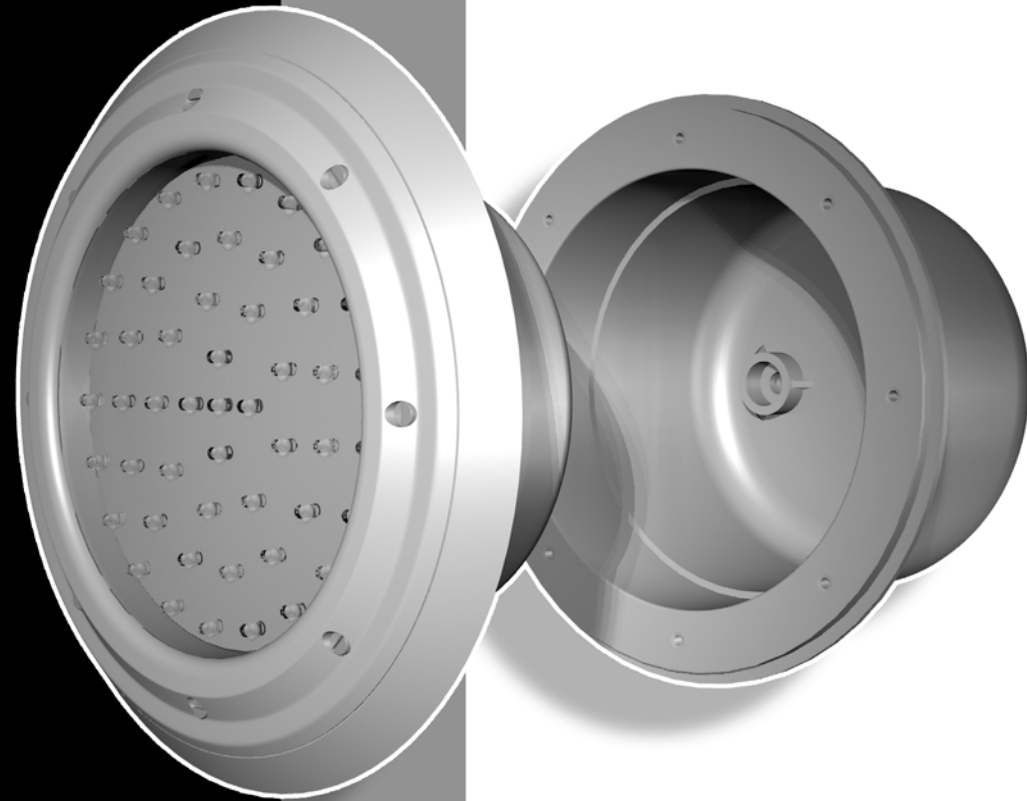
Integrated Pool Products

Tel. 27 (11) 957 2002/3/4/5 • Fax. 27 (11) 957 2062
Email. elinor@iafrica.com • <http://www.poolmaid.co.za>
PO Box 522, Muldersdrift 1747, South Africa

OUTWORLD (011) 804 4679



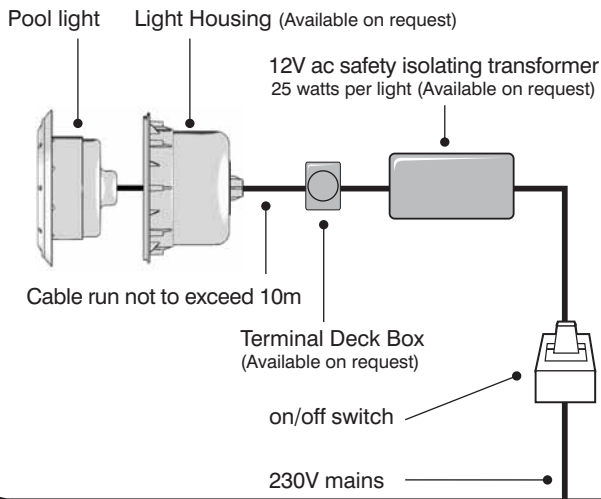
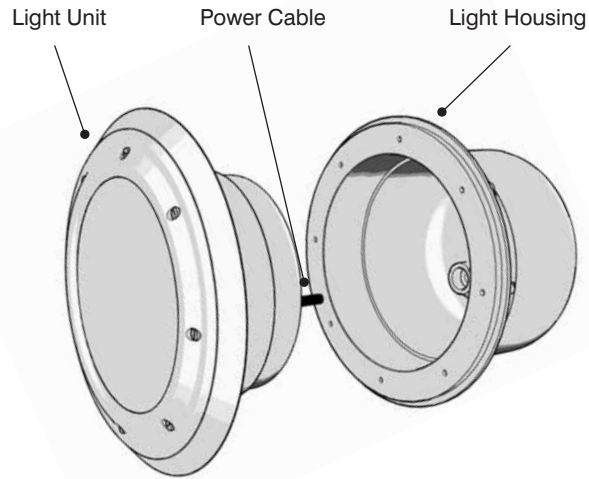
Pool Light INSTRUCTION MANUAL



Your Poolcare Solution Instruction Manual

Fitting the Poolmaid Single and Multi Colour Pool Lights

1. New Installations



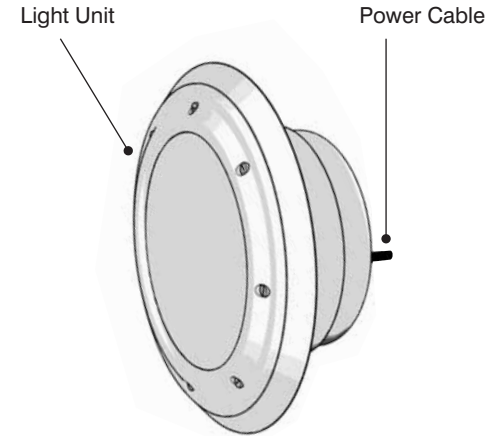
*Multi colour light Set-up Instructions

- (A) In order to select your colour of choice, push the on/off switch repeatedly until the desired colour is achieved. The colour sequence is as follows:
1. White
 2. Red
 3. Green
 4. Blue
 5. Red & Blue (Magenta)
 6. Blue & Green (Cyan)
 7. Colour roll - scrolls through all colours

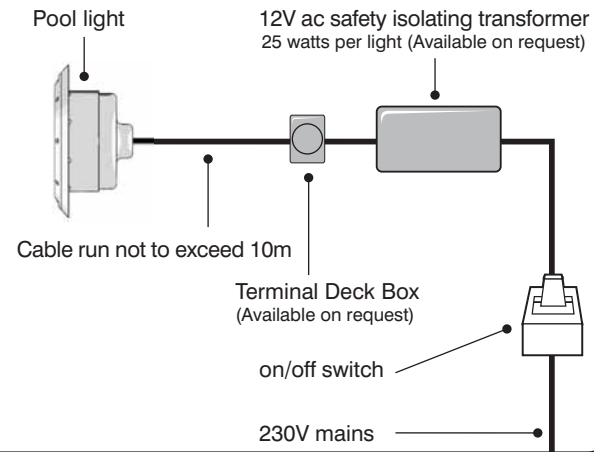
- (B) • To synchronise multiple fittings, all fixtures must run through the same on/off switch. Leave the switch off for 12 seconds (the pool lightes will calibrate themselves to a synchronised starting point. Select colours as if through 1 fixture as in (A) above.

(C) For Single Colour Light, switch on or off at the light switch

2. Retrofit Installation



* Only fits into a light housing 170mm inside diameter (fits most new lights)



*Multi colour light Set-up Instructions

- (A) In order to select your colour of choice, push the on/off switch repeatedly until the desired colour is achieved. The colour sequence is as follows:
1. White
 2. Red
 3. Green
 4. Blue
 5. Red & Blue (Magenta)
 6. Blue & Green (Cyan)
 7. Colour roll - scrolls through all colours

- (B) • To synchronise multiple fittings, all fixtures must run through the same on/off switch. Leave the switch off for 12 seconds (the pool lightes will calibrate themselves to a synchronised starting point. Select colours as if through 1 fixture as in (A) above.

(C) For Single Colour Light, switch on or off at the light switch